

SYLVANIA STREETLED MK4



The smart choice for urban roads

Engineered and crafted in Australia, the STREETLED MK4 is a high performance luminaire designed specifically to meet Australian/ New Zealand minor road lighting requirements.

The optical system with LED light source is optimised to provide the maximum spacing complying with AS1158-3.1 Category P.

STREETLED MK4 is equipped with a high-performance optical system, sealed to IP66 ingress protection, which provides energy-efficient lighting for a multitude of applications such as pedestrian areas, residential streets, roads, car parks, and motorways. The luminaire is designed for quick installation and easy maintenance.

Perfect for one-for-one replacement for legacy fittings including 70W HPS, 80W MV, 32/42W CFL, 2 x 14W T5, 2 x 24W T5.

OPTICAL CHAMBER

IP 66

IK 08

CONNECTION CHAMBER

IP 24



URBAN & RESIDENTIAL STREETS



BIKE & PEDESTRIAN PATHS



SQUARES & PEDESTRIAN AREAS



CAR PARKS



LARGE AREAS



ROADS & MOTORWAYS

MAIN APPLICATIONS

- Urban and residential streets
- Bike and pedestrian paths
- Squares and pedestrian areas
- Car parks
- Large areas
- Roads and motorways

KEY ADVANTAGES

- High performance roadway luminaire, designed specifically to meet Australian/New Zealand Road Lighting Standards, complying with both AS/NZS 60598.2.3 & AS/NZS TS 1158.6
- The optics and LED light source are optimised to provide maximum spacings for compliance with AS1158-3.1 Category P
- Optical chamber sealed to IP66 ingress protection
- Tempered glass protector with IK08 rating
- Cable gland-free access to connection chamber providing ease of installation
- CRI ≥ 70
- Ambient temperature 40°C
- Available in Natural Unpainted finish
- 20-year design life
- Available in colour temperature of 4000K, 3000K & 2200K optional

OPTIONS:

- Polyester powdercoat finish in various RAL and DULUX colours
- NEMA PE Cell
- D4i luminaire with NEMA and Zhaga sockets
- Glare shields
- -5° Tilt Adjustment Adaptor to ensure correct tilt can be achieved if the original pole outreach angle is incorrect



Clips for tool-free access to Gear chamber



Easy cable-gland free access to gear chamber for quick installation and maintenance



NEMA 7 pin base for smart city (IoT) readiness

SCS is focused on Smart Control technologies, delivering solutions to clients that enable these Smart LED luminaires to become smarter.

NEMA, Zhaga or both to maintain full control! The architecture foresees the possibility of putting two sockets on one luminaire, allowing the combination of a detection sensor and a control node.

The equipped sockets on the luminaire connects a Smart Light Point Controller/ Node with an easy twist and lock mechanism. The Light Point Controllers enables these luminaires to be connected to a dedicated network and a User-Interface on a computer, which allows these luminaires to be remotely managed.

Key benefits:



Constant Light Output (CLO)

Additional energy savings (over 20%) by using the Constant Light Output (CLO) and Virtual Light Output (VLO) functionality



Dimming schedules

Reducing the amount of light when not required, thereby reducing light glow as well as get further energy savings



Pro-active maintenance

The system reports errors and failures as they occur, helping to repair/ restore the luminaires pro-actively



Smart City devices

Connect additional Smart City devices including Air-quality monitors, Noise sensors, Motion sensors etc



For more information on smart controls contact: info@scs-schreder.com

GENERAL INFORMATION

Recommended installation height	4m to 7.5m 13' to 25'
Driver included	Yes
RCM Mark	Yes
RoHS compliant	Yes
Testing standard	EMC compliant: AS/NZS CISPR15 Luminaires Performance: AS/NZS 60598.1 & AS/NZS 60598.2.3 Lighting for Roads and Public Spaces: SA/SNZ TS 1158.6

HOUSING AND FINISH

Housing	Pressure die cast aluminium body
Protector	Tempered Glass
Standard colour(s)	Natural finish Optional colour RAL9006 Any other RAL colour on request
Tightness level	IP66 Optic Chamber IP65 Control Gear (Minimum) IP24 Connection Chamber IP66 Connection Chamber - Optional
Impact resistance	IK08
Vibration test	Compliant with AS1158.6:2015, AS60068.2.6:2003
Access for maintenance	Tool-less

PERFORMANCE

Lumen efficacy	150lms/W
----------------	----------

ELECTRICAL INFORMATION

Electrical class	Class I Class II (Optional)
Nominal voltage	230V - 50Hz
Power factor (at full load)	≥ 0.9
System wattage	9W-24W
Surge protection options (kV)	20kV/10kA 10kV/5kA (Optional)
Electromagnetic compatibility (EMC)	AS/NZS CISPR15
Control protocol(s)	DALI 1-10V (optional)
Socket(s)	Nema 7 pin receptacle D4i configuration: Auxiliary Zhaga receptacle (optional)
Sensor(s)	Devices & sensors for smart city applications

OPTICAL INFORMATION

LED colour temperature	4000K, 3000K, 2200K (optional)
Colour rendering index (CRI)	≥ 70
Upward Light Output Ratio (ULOR)	0%

OPERATING CONDITIONS

Temperature range from operation (Ta)	-10°C up to +40°C
---------------------------------------	-------------------

(*): Depending on the configuration of the luminaire. For more details, contact us.

LIFETIME OF THE LEDS @ TQ 40°C

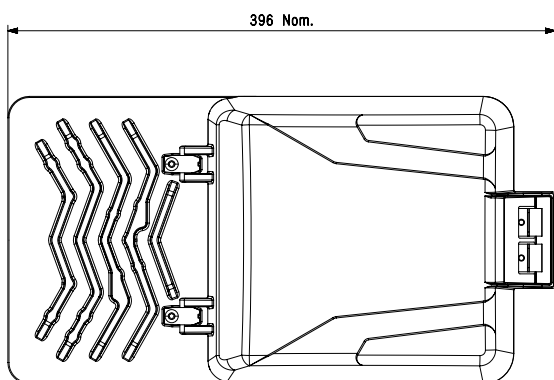
All configurations	88,000h - L94
--------------------	---------------

DIMENSIONS AND MOUNTING

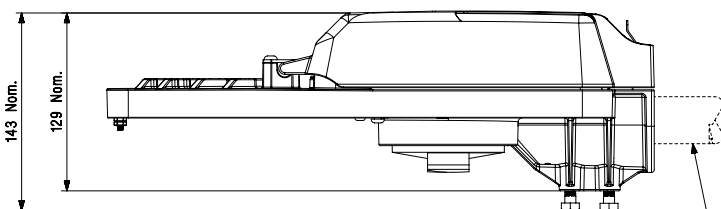
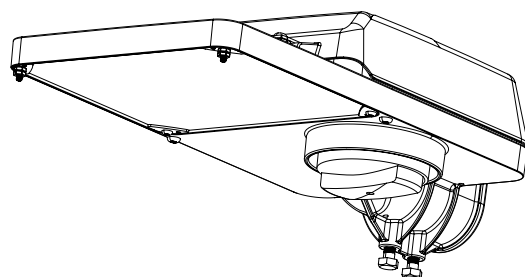
L x W x H (mm) 396 x 208 x 143

Weight (kg) 3.4

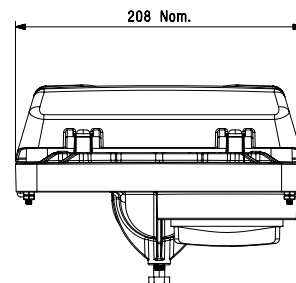
Mounting possibilities 27-34mm OD



Top View
Projected Area 0.08M²



Side View
Projected Area 0.03M²



Front View



Product Code	Description	System Power (W)
JLD40Z0211L14	STREETLED MK4 14W, 4000K LED, AEROSCREEN VISOR, SIDE MOUNT, 7-PIN NEMA BASE, SHORTING CAP, NATURAL FINISH	14
JLD30Z0211L14	STREETLED MK4 14W, 3000K LED, AEROSCREEN VISOR, SIDE MOUNT, 7-PIN NEMA BASE, SHORTING CAP, NATURAL FINISH	14
JLD40Z0211L20	STREETLED MK4 20W, 4000K LED, AEROSCREEN VISOR, SIDE MOUNT, 7-PIN NEMA BASE, SHORTING CAP, NATURAL FINISH	20
JLD30Z0211L20	STREETLED MK4 20W, 3000K LED, AEROSCREEN VISOR, SIDE MOUNT, 7-PIN NEMA BASE, SHORTING CAP, NATURAL FINISH	20
JLD40Z0211L24	STREETLED MK4 24W, 4000K LED, AEROSCREEN VISOR, SIDE MOUNT, 7-PIN NEMA BASE, SHORTING CAP, NATURAL FINISH	24
JLD30Z0211L24	STREETLED MK4 24W, 3000K LED, AEROSCREEN VISOR, SIDE MOUNT, 7-PIN NEMA BASE, SHORTING CAP, NATURAL FINISH	24

ACCESSORIES

JLD00010	-5° TILT ADAPTOR
JLD00001	REAR GLARE SHIELD
JLD00002	FRONT GLARE SHIELD
JLD00003	PATHWAY GLARE SHIELD
JLD00004	RIGHT/LEFT GLARE SHIELD

SPECIFICATIONS:

STANDARD CONFIGURATION:

- LED Colour Temperature 4000K, 3000K
- CRI >70
- Electrical Class I
- Control Dimming: DALI2
7-pin Nema socket
- Colour Natural Finish

OPTIONS:

- LED Colour Temperature 2200K
- CRI >70
- Electrical Class II
- Control Dimming: D4i/ 1-10V
D4i configuration: with Zhaga (Book 18) 4-pin socket (bottom mount)
Nema Shorting Cap
Nema Photocell
- Colour Any RAL colour on request or Selection of RAL colours and finish

STREETLED MK4 14W

