

SYLVANIA ROADLED MIDI



SYLVANIA

CATEGORY V LED LUMINAIRE

The ROADLED MIDI is a state-of-the-art road lighting luminaire that has been specifically designed in Australia for Australian/New Zealand major road lighting applications.

The luminaire has been specifically engineered to comply with Australian Standards (Category V) allowing it to replace traditional high wattage HID luminaires that are used to illuminate major vehicular roads throughout ANZ. Complies with ASNZS1158.

The standard powdercoat colour finish is RAL 9006. The control gear is an integral 240V with long life ensured from the finned array at the rear of the unit which allows for excellent heat dissipation thus extending component life.

SCO

IK 06

OPTIC & CONTROL GEAR

IP 66



AERO

IK 07

CONNECTION CHAMBER

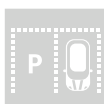
IP 24



BIKE & PEDESTRIAN PATHS



SQUARES & PEDESTRIAN AREAS



CAR PARKS



LARGE AREAS



RAILWAY STATIONS & METROS



ROADS & MOTORWAYS

MAIN APPLICATIONS

- Roads and motorways
- Bridges
- Large areas
- Railway stations and metros
- Roads and motorways

KEY ADVANTAGES

- High performance Roadway luminaire
- Designed specifically to meet Australian/New Zealand Road Lighting Standards, complying with AS/NZS CISPR15, SA/SNZ TS 1158.6 and
- AS/NZS 60598.1
- The optics and LED light source are optimised to provide maximum spacings for compliance with AS1158-1.1 Category V
- IP66 ingress protection (optical chamber)
- CRI > 70
- Colour Temp: 4000K (Standard)
- Design life of 20 years
- Side entry mount
- Surge protection device (SPD) standard
- Aeroscreen (CO) and Standard (self-cleaning) visors available
- Smart City Ready



Toggle latch for tool-less entry



Semi cut-off self cleaning visor



NEMA 7 pin base for smart city (IoT) readiness



Finned array at the rear of the unit which allows for excellent heat dissipation

SCS is focused on Smart Control technologies, delivering solutions to clients that enable these Smart LED luminaires to become smarter.

The equipped NEMA sockets on the luminaire connects a Smart Light Point Controller/ Node with an easy twist and lock mechanism. The Light Point Controllers enables these luminaires to be connected to a dedicated network and a User-Interface on a computer, which allows these luminaires to be remotely managed.

Key benefits:



Constant Light Output (CLO)

Additional energy savings (over 20%) by using the Constant Light Output (CLO) and Virtual Light Output (VLO) functionality



Dimming schedules

Reducing the amount of light when not required, thereby reducing light glow as well as get further energy savings



Pro-active maintenance

The system reports errors and failures as they occur, helping to repair/ restore the luminaires pro-actively



Smart City devices

Connect additional Smart City devices including Air-quality monitors, Noise sensors, Motion sensors etc



For more information on smart controls contact: info@scs-schreder.com

GENERAL INFORMATION

Recommended installation height	9m to 12m 29' to 39'
FutureProof	Easy replacement of the photometric engine and electronic assembly on-site
Driver included	Yes
RCM Mark	Yes
ROHS compliant	Yes
Dark Sky friendly lighting (IDA certification)	Yes
Testing standard	EMC compliant: AS/NZS CISPR15 Luminaires Performance: AS/NZS 60598.1 & AS/NZS 60598.2.3 Lighting for Roads and Public Spaces: SA/SNZ TS 1158.6

HOUSING AND FINISH

Housing	Pressure die cast, aluminium body
Optic	Polycarbonate
Protector	Acrylic
Housing finish	Polyester powdercoat finish as standard
Standard colour(s)	RAL 9006 Any other RAL color on request
Tightness level	IP66 - Optic & Gear Chamber IP24 Connection Chamber
Impact resistance	IK06 (SCO) IK07 (Aeroscreen)
Access for maintenance	Tool-less

PERFORMANCE

Lumen efficacy	130lms/w
----------------	----------

ELECTRICAL INFORMATION

Electrical class	Class I / Class II
Nominal voltage	240V – 50Hz
Power factor (at full load)	> 0.9
System wattage	60W-150W
Surge protection options (kV)	10kV
Electromagnetic compatibility (EMC)	AS/NZS CISPR15
Control protocol(s)	DALI or 1-10V
Socket(s)	NEMA 7 pin or Zhaga BOOK 18 4 pin receptacle with 24V control
Sensor(s)	Devices & sensors for smart city applications

OPTICAL INFORMATION

LED colour temperature	4000K, 3000K
Colour rendering index (CRI)	> 70
Upward Light Output Ratio (ULOR)	0%

• Meets IDA Dark Sky requirements when fitted with LEDs of 3000K or less
• ULOR may be different according to configuration. Please contact us for more details.

OPERATING CONDITIONS

Temperature range from operation (Ta)	-10 °C up to 40°C
---------------------------------------	-------------------

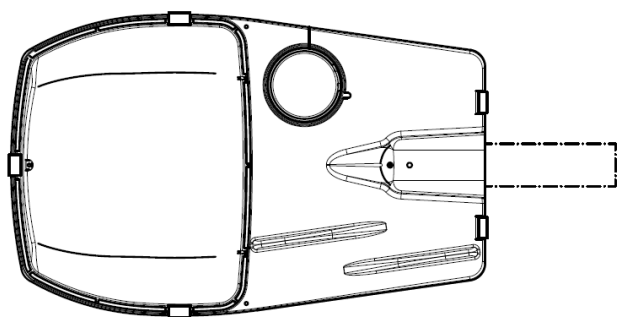
(*) Depending on the configuration of the luminaire. For more details, contact us.

LIFETIME OF THE LEDS @ TQ 40°C

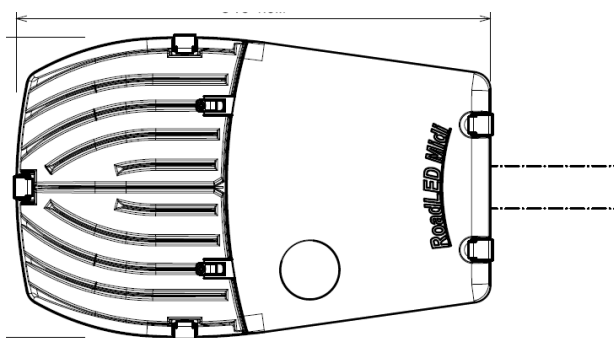
All configurations	88,000h - L95
--------------------	---------------

DIMENSIONS AND MOUNTING

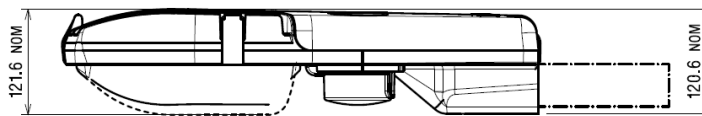
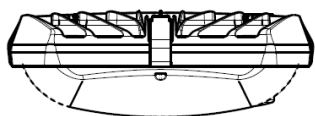
L x W x H (mm)	Standard visor – 546x364x121
	Aeroscreen – 546x364x121
Weight (kg)	8.7 to 9.2
Mounting possibilities	43mm to 48mm Spigot entry



FRONT VIEW
[with Standard Visor]



TOP VIEW



SIDE VIEW
[with Standard Visor]



Product Code	Name	Mass (Kg)	Beam Dist.	System Power(W)
Standard Visor				
PM99Z05L60	RL MIDI 60W4K 1N1B PES7 9006	8.70	Type 2/3M	60
PM99Z05L80	RL MIDI 80W4K 1N1B PES7 9006	8.70	Type 2/3M	80
PM99Z05L100	RL MIDI 100W4K 2N1B PES7 9006	9.20	Type 2/3M	100
PM99Z05L120	RL MIDI 120W4K 2N1B PES7 9006	9.20	Type 2/3M	120
PM99Z05L150	RL MIDI 150W4K 2N1B PES7 9006	9.20	Type 2/3M	150
Cut Off Visor				
PM99Z15L60	RL MIDI 60W4K 1N1B PES7 CO 9006	8.70	Type 2/3M	60
PM99Z15L80	RL MIDI 80W4K 1N1B PES7 CO 9006	8.70	Type 2/3M	80
PM99Z15L100	RL MIDI 100W4K 2N1B PES7 CO 9006	9.20	Type 2/3M	100
PM99Z15L120	RL MIDI 120W4K 2N1B PES7 CO 9006	9.20	Type 2/3M	120
PM99Z15L150	RL MIDI 150W4K 2N1B PES7 CO 9006	9.20	Type 2/3M	150

ACCESSORIES - Spigot Tilt Adjuster

08-14-007-071	5° Tilt Spigot Adjuster
---------------	-------------------------

The above codes are for standard offering only. For additional options, please contact us. 5° Tilt Spigot Adjuster is factory fitted in most instances.

SPARES - Visors

PM00000	RDLED MIDI SCO Visor
PM00002	RDLED MIDI CO Visor
PM00000PC	SCO IK10 Visor
PM00002PC	CO IK10 Visor