

HYBRID CONTROL GEAR



- Available in 1Step/4Step and TRI Control DALI/0-10V/Simple Switch
- Suitable for RAPTOR 3/4, BRITELINE 1/2
- IP20 and IP65 models
- 240V and 415V options
- Simple 2 wire connection connection between driver and luminaire* (Luminaire must be earthed)
- Maximum distance between gear and floodlight:

| Cable Size (mm ²) | RAPTOR 3 Length (m) | BRITELINE (G1/G2) Length (m) |
|-------------------------------|---------------------|------------------------------|
| 1.5 | 1000 | 500 |
| 2.5 | 2000 | 1000 |
| 4.0 | 3200 | 1600 |
| 6.0 | 4800 | 2400 |

- High immunity to surges, low inrush /leakage current



*DALI versions require 3 core + earth

GENERAL INFORMATION

| | |
|-------------------------------------|---|
| RCM Mark | Yes |
| ROHS compliant | Yes |
| Testing standard | AS/NZS 61347.1:2016 AS/NZS 61347.2.13:2018 |
| Electromagnetic compatibility (EMC) | AS/NZS CISPR15 |

HOUSING AND FINISH IP 20

| | |
|-----------------|---------------------------|
| Housing | Steel |
| Housing finish | Powder coated satin black |
| Tightness level | IP 20 |

HOUSING AND FINISH IP 65

| | |
|-----------------|--------------------|
| Housing | Die cast aluminium |
| Housing finish | Powder coated grey |
| Tightness level | IP 65 |

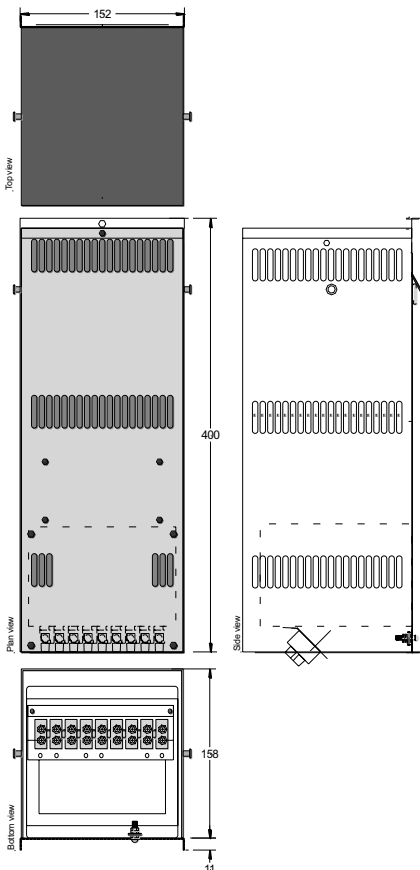
ELECTRICAL INFORMATION

| | |
|-----------------------------|-------------------------------------|
| Electrical class | Class I |
| Nominal voltage | 240V/415V – 50Hz/60Hz |
| Power factor (at full load) | > 0.95 |
| Surge protection (kV) | 10kV for 1 & 4 Step 8kV for DALI |

DIMENSIONS

IP20 1 STEP Gear

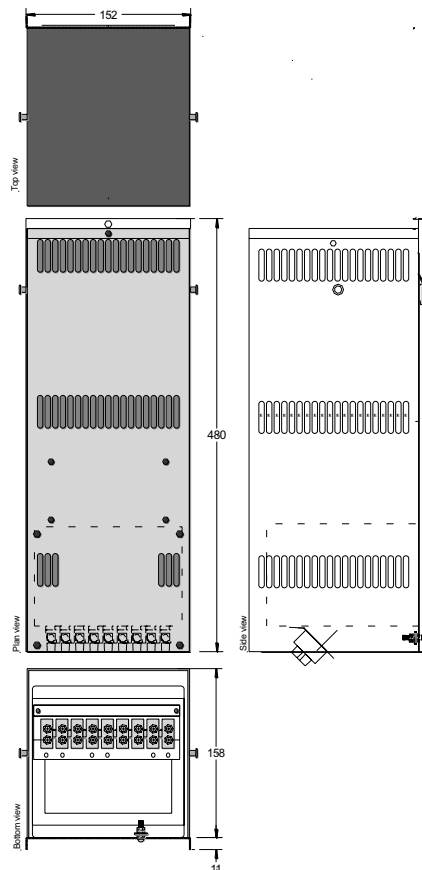
HYB1ST240V
HYB1ST415V



IP20 4 STEP/ TRI CONTROL DALI

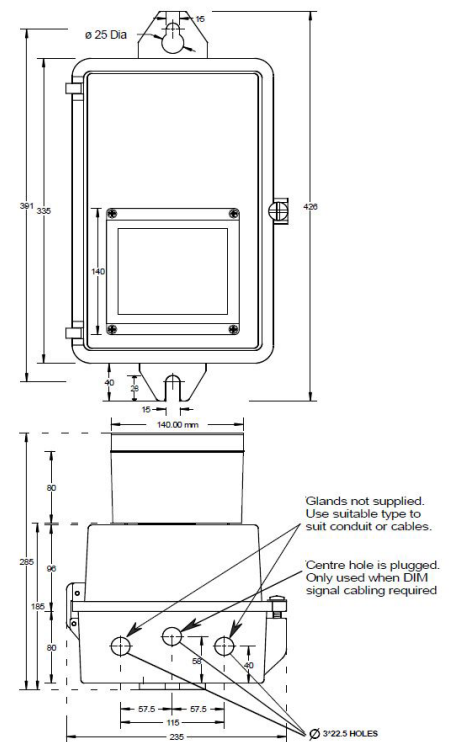
HYB4ST240V
HYB4ST415V

HYBD240V
HYBD415V



IP65 1 Step/4Step/TRI Control DALI

HYB1ST240VIP65
HYB1ST415VIP65



ORDER CODES

| Product Code | Description | Voltage (V) | Control | IP Rating | Operating Ambient (°C) | Weight (Kg) | Dimensions LxWxH (mm) |
|----------------|--|-------------|--|-----------|------------------------|-------------|-----------------------|
| HYB1ST240V | G/TRAY HYBRID 1420W 240V 1 STP RAPTOR 2/3/4 BRITELINE 2/3 | 240 | 1 Step (50%) | 20 | 65 | 17.5 | 400 x 152 x 158 |
| HYB1ST415V | G/TRAY HYBRID 1420W 415V 1 STP RAPTOR 2/3/4 BRITELINE 2/3 | 415 | 1 Step (50%) | 20 | 65 | 17.5 | 400 x 152 x 158 |
| HYB4ST240V | G/TRAY HYBRID 1420W 240V 4 STP RAPTOR 2/3/4 BRITELINE 2/3 | 240 | 4 Step (Nom 15%, 25%, 50%, 100%) | 20 | 65 | 18.5 | 480 x 152 x 158 |
| HYB4ST415V | G/TRAY HYBRID 1420W 415V 4 STP RAPTOR 2/3/4 BRITELINE 2/3 | 415 | 4 Step (Nom 15%, 25%, 50%, 100%) | 20 | 65 | 18.5 | 480 x 152 x 158 |
| HYBD240V | G/TRAY HYBRID 1420W 240V DALI RAPTOR 2/3/4 BRITELINE 2/3 | 240 | TRI Control (DALI, 0-10V, Simple Switch) | 20 | 65 | 20.5 | 480 x 152 x 158 |
| HYBD415V | G/TRAY HYBRID 1420W 415V DALI RAPTOR 2/3/4 BRITELINE 2/3 | 415 | TRI Control (DALI, 0-10V, Simple Switch) | 20 | 65 | 20.5 | 480 x 152 x 158 |
| HYB1ST240VIP65 | W/P BOX HYBRID 1420W 240V 1 STP RAPTOR 2/3/4 BRITELINE 1/2 | 240 | 1 Step (50%) | 65 | 50 | 20.5 | 426 x 235 x 285 |
| HYB1ST415VIP65 | W/P BOX HYBRID 1420W 415V 1 STP RAPTOR 2/3/4 BRITELINE 1/2 | 415 | 1 Step (50%) | 65 | 50 | 20.5 | 426 x 235 x 285 |

ACCESSORIES

| Product Code | Name | Voltage (V) |
|--------------|---------------------------------|-------------|
| PSU-003-A1 | 220-430VAC/12 DC Dim Signal PSU | 240/415 |

ELECTRONIC CONTROL GEAR

1.8KW DALI-2. Suitable for RAPTOR 4



- Nominal input voltage: 220-415Vac
- 3 output channels
- Output current 1400 mA (per output channel)
- 6C+E cable between driver and luminaire
- DALI-2 and D4i Certified
- Output voltage range 176 – 500 VDC (per output channel)
- Max remote distance 300 meters
- Surge level 10 kV for both common mode and differential mode
- Adaptable thermal protection for LED Modules
- Lifetime: 89,000 hours (220Vac input, 80% load, 70°C case temperature)
- Short circuit, over voltage and over power protections
- IP66 enclosure

Class I non-insulated, 1800W (600W x 3 channels) output constant current DALI-2 programmable. An IP66 enclosure makes it also suitable for outdoor applications and its electrical characteristics make it suitable for TV broadcasting applications.

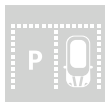


IK 08

IP 66



SPORTS



CAR PARKS



LARGE
AREAS

GENERAL INFORMATION

| | |
|-------------------------------------|---|
| RCM Mark | Yes |
| ROHS compliant | Yes |
| Testing standard | AS/NZS 61347.1:2016 AS 61347.2.13:2018 |
| Electromagnetic compatibility (EMC) | AS/NZS CISPR15 |

HOUSING AND FINISH

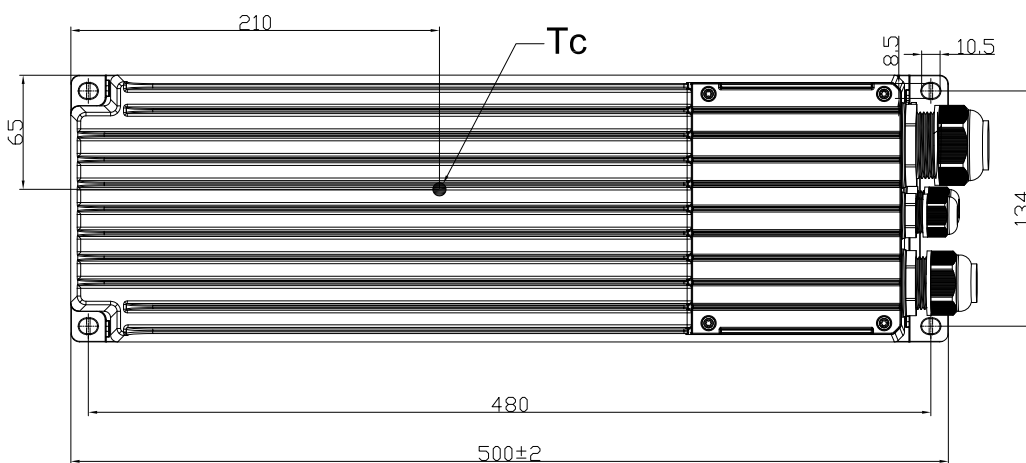
| | |
|--------------------|--------------------------------------|
| Housing | Die cast EN AC-44300 Aluminium alloy |
| Housing finish | Powder coated finish |
| Standard colour(s) | Pantone 877U |
| Tightness level | IP66 |
| Impact resistance | IK08 |

ELECTRICAL INFORMATION

| | |
|-----------------------------|--|
| Electrical class | Class I |
| Nominal voltage | 220-415 Vac – 50Hz/60Hz |
| Power factor (at full load) | > 0.95 |
| Surge protection (kV) | 10kV |
| I/O Connections | Push-in connectors Input Connections: L1, L2, PE Control Connections: DA+, DA-, (double connection for DALI line for re-launch) Output connections (LED+, LED-) x 3 channels + PE lum + OTP |

DIMENSIONS AND MOUNTING

| | |
|----------------|-------------------|
| L x W x H (mm) | 500 x 152 x 90 mm |
| Weight (kg) | 7 |



ORDER CODES

| Product Code | Description | Wattage (KW) | Control | IP Rating | Voltage (V) | Weight (kg) | Dimensions LxWxH(mm) |
|-----------------|---|--------------|---------|-----------|-------------|-------------|----------------------|
| NES-1K8T210BC-P | RAPTOR 4 ELECTRONIC DRIVER 3 CHANNEL 1.4A | 1.8 | DALI-2 | IP66 | 220-415 | 7 | 500x152x90 |