

INSTALLATION / WARRANTY INSTRUCTIONS

Issue Date: 15/08/2022

PRODUCT: IGNEOUS
PRODUCT CODE/S: IG04745200 & IG04845200 (Refer Rating Label)

PLEASE READ THESE INSTALLATION INSTRUCTIONS CAREFULLY BEFORE INSTALLING OR MAINTAINING THIS EQUIPMENT. THE PRODUCT IS DESIGNED FOR INSTALLATION AND MAINTENANCE IN ACCORDANCE WITH RELEVANT AUSTRALIAN STANDARDS (AS3000) AND LOCAL REGULATIONS (WHERE APPLICABLE), BY AN AUTHORISED AND LICENCED ELECTRICIAN. THE INSTALLATION INSTRUCTIONS WERE CORRECT AT THE TIME OF PRINT. TO REFLECT CHANGES IN TECHNOLOGY AND AUSTRALIAN STANDARDS; SYLVANIA SCHRÖDER RESERVES THE RIGHT TO AMEND THE INSTRUCTIONS WITHOUT NOTICE. UPDATED GUIDELINES CAN BE FOUND ON THE RELEVANT BRAND WEB SITE.

IMPORTANT - THE PRODUCT MUST BE MAINTAINED AND OPERATED IN ACCORDANCE WITH THE MANUFACTURER'S INSTRUCTIONS. FAILURE TO DO SO MAY DAMAGE THE PRODUCT AND SERVICES. IT IS STRONGLY RECOMMENDED THAT THIS IMPORTANT NOTE BE COMMUNICATED TO THE OWNER AND OR OPERATOR OF THE INSTALLATION AT THE TIME OF SITE COMMISSIONING. GOOD PRACTICE DOES NOT RECOMMEND THE 24/7 USE OF PRODUCTS WITHOUT THE APPLICATION OF SUITABLE SWITCH CYCLE INTERVALS. FURTHERMORE, WITH THE OMISSION OF NOMINATED SURVIVAL CURVES AND OR RECOMMENDED OPERATING HOURS, PRODUCT DESIGN EXPECTATIONS PROVIDE FOR A CONTINUAL DAILY USAGE OF 6 HOURS FOR RESIDENTIAL APPLICATIONS AND A CONTINUAL DAILY USAGE OF 12 HOURS FOR COMMERCIAL AND INDUSTRIAL APPLICATIONS. ALL PRODUCTS MUST BE THOROUGHLY CLEANED ON A REGULAR BASIS AT INTERVALS THAT REFLECT IN THE INSTALLATION ENVIRONMENT, ENSURING THE OPTICAL PERFORMANCE, TOGETHER WITH THE ELECTRICAL, MECHANICAL AND STRUCTURAL INTEGRITY AS DESIGNED, IS MAINTAINED THROUGHOUT THE SERVICE LIFE OF THE PRODUCT.



1. PRODUCT SPECIFICATION:

Type of Protection	Class I
IP Rating/s	IP65
Nominal Voltage / Frequency	240V / 50Hz
Power Factor	>0.9
Circuit Wattage	200W (Refer rating label)
Line Current	0.854A
Inrush Current	N/A
Leakage Current	0.002A
Important – when installing electronic or HID lighting equipment, the installer must consider the in-rush start current (if any) as documented on the control gear identification label when selecting appropriate circuit controls or protective devices.	
Dimming Protocol	Non-Dim
Ambient Temperature (Minimum/Maximum)	-10°C / + 40°C
Suitable for direct mounting on flammable surfaces (indoor product only)	NO
Distance from lit object	6m
Installation type	Suspension mount
Designed application	Indoors
Rated average design life	50,000 hrs

2. APPROVALS: The RCM marking of this product applies to AS/NZS CISPR15 (EMC) "Limits and methods of measurement of radio disturbance characteristics of electrical lighting and similar equipment". This product is designed to conform to AS/NZS60598 "Luminaires, general requirements and tests".



3. STORAGE: Prior to installation products are to be stored in cool and dry conditions.

4. APPLICATION: The installation application and orientation of the product is designed in accordance with the nominated product IP rating, class designation and these installation instructions. Installation environments and operating conditions beyond these instructions are not recommended.

5. INSTALLATION / GENERAL: Installation of the product is to be completed by an authorised and licensed electrician, in accordance with these instructions, relevant Australia standards and local regulations (where applicable). Termination of product wiring, together with the installation of the product must be in a manner and orientation that maintains the integrity of the designated IP rating. Where the product includes solid state or electronic components (such as LED lighting), the **INSULATION RESISTANCE TEST SHOULD BE CARRIED OUT IN ACCORDANCE WITH AS/NZS3000 & TEST VOLTAGE TO BE REDUCED TO 250V DC IN WHICH CASE THE INSULATION RESISTANCE SHOULD NOT BE LESS THAN 1MΩ. Exceeding 250V DC may damage the product and void warranty.**

6. INSTALLATION / SPECIAL CONDITIONS (relevant only for products approved for such an installation):

(a) products installed in high wind environments must have suitable installation / fastening methods applied to ensure the product's mounting points are not damaged through, corrosion, constant vibration and or movement. Exterior products are designed with precise vertical aiming limits, which should not be exceeded. Any vertical floodlight aiming requirements should be specifically validated in writing with the relevant brand before consideration.

(b) products installed in corrosive or salt laden environments require special consideration and such; specific product selection, inclusive of suitable fastening methods and extensive ongoing maintenance of products installed in these environments require professional advice. It is essential that all aspects of the product selection, material specification and maintenance are specifically designed for such use and a cleaning program be adopted that maintains the design integrity of the product.

(c) interior highbay products must be vertically suspended. The method of suspension (chain etc) must be able to support at least 5 times the total weight of the fitting. Do not install where air movement will cause the fitting to swing about, causing wear and tear of attachment points. Luminaires should be installed where access for maintenance is practical and allows for maintenance to be completed in accordance with the manufacturer's recommendations.

7. MAINTENANCE:

(a) The supply must be isolated before opening or accessing the luminaire. Product maintenance is **IMPORTANT** and is critical to the products designed performance. The product is to be maintained in accordance with the manufacturer's instructions. For the latest product maintenance guides please go to relevant brand web site. Sylvania Schröder is not responsible for any product not maintained in accordance with the recommended procedure or intervals. **(b) lamps (where provided):** The product is designed with the supplied (LEDs) / LAMP/s and it is strongly recommended that any LAMP / (LEDs) changes (if any) be made in accordance with the type, colour and brand supplied. For recommended LAMP / LED maintenance or operating guides (inclusive of recommended product switch cycles and mandatory run-in procedures for HID and Fluorescent lamps when used with dimming circuits), Sylvania Schröder recommends the application of the lamp manufacturer's operating guidelines, which can be found on manufacturer's website. Sylvania Schröder is not responsible for the product performance of alternative lamp/s used. As a member of FluroCycle, we encourage recycling of lamps and components. **(c) for products supplied with glass visors or covers,** do not operate the product with a damaged visor or cover; it is recommended the product be turned off, area surrounding the product vacated and the damaged glass replaced by a professional installer immediately. **(d) for products supplied NEMA bases** do not install &/or operate without PE cell or Smart Node or Shorting cap installed.

8. WARRANTY INSTRUCTIONS: For the purpose of warranty claims (if any) the following instructions apply:

Warranty components – THE PRODUCT, (identified as the THE PRODUCT only). **Warranty period** - The above components are provided with a warranty of FIVE (5) year/s or WARRANTED hours of operation (which ever arrives first) against manufacturing defects or failure to perform to specifications for products installed by an authorised installer in accordance with the manufacturer's installation instructions and which have not been subject to incorrect operation or maintenance, unauthorised modification or damage arising from any intervening cause.

Warranty reference - The warranty reference date commences from the date of purchase.

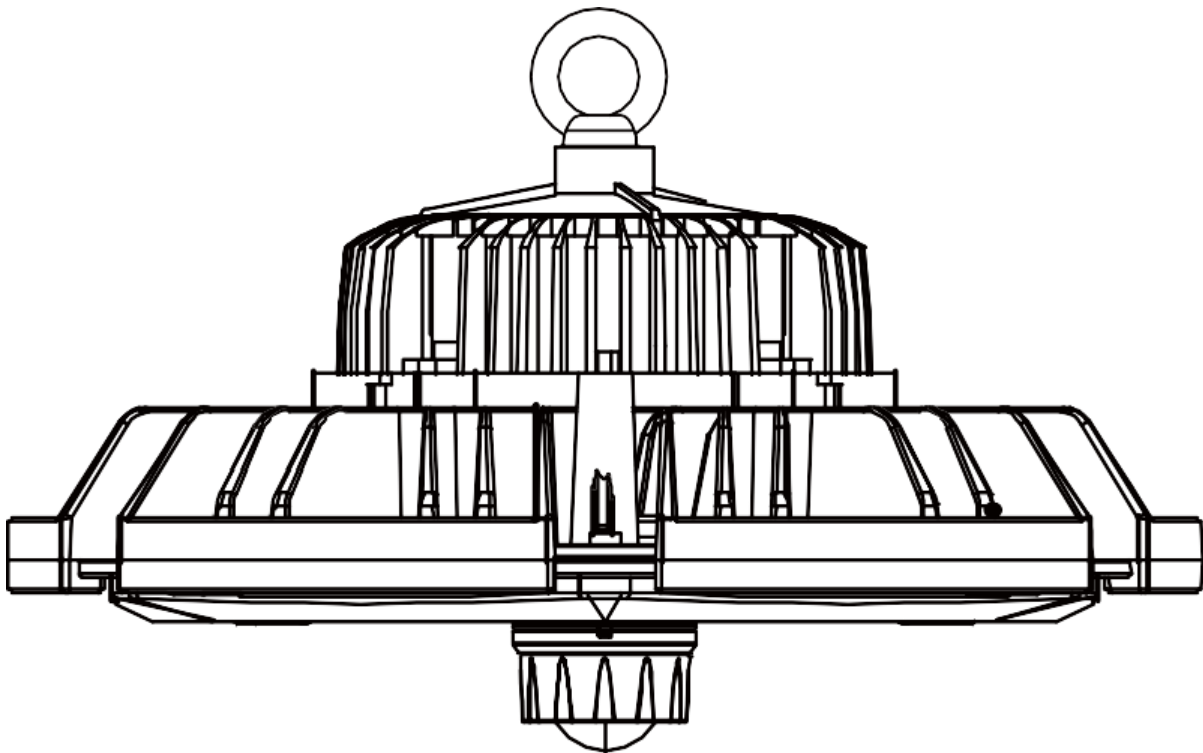
Warranty point of contact – Schröder Australia Pty Ltd, Bldg 4A, Parklands Estate, 21-23 South Street NSW 2116, phone T 1300 489 780 contact – Sylvania Schröder After Sales Support.

Warranty claim procedure – For the purpose of making a claim the customer must:

1. Contact the "point of contact" above and upon provision of proof of purchase the customer will receive a goods return advice (GRA) number. 2. At the customer's expense, collect and return the goods to the "point of contact" with the issued GRA number. 3. Upon receipt of the goods, Sylvania Schröder will review the claim and if found to be accepted, Sylvania Schröder will return a replacement product to the customer to install at the customer's expense. Alternatively, if the claim is rejected, the customer may request the return of the goods at their expense. **Consumer Contracts** - The benefits to the customer given by the Sylvania Schröder warranty are in addition to other rights and remedies of the customer if the goods are the subject of a Consumer Contract under the Australian Consumer Law. In that event the following statement is required to be brought to the Consumer's attention: - *Our goods come with guarantees that cannot be excluded under the Australian Consumer Law. You are entitled to a replacement or refund for a major failure and for compensation for any other reasonably foreseeable loss or damage. You are also entitled to have the goods repaired or replaced if the goods fail to be of acceptable quality and the failure does not amount to a major failure.* **Limitation of Liability** – if the goods are not purchased by the customer under a Consumer Contract within the Australian Consumer Law then but not otherwise; - (a) the Company is not liable in tort for any loss or damage suffered by the customer or by any third party; and (b) in no circumstances is Sylvania Schröder liable to the customer or to any third party for any loss of profits, loss of anticipated savings, economic loss or interruption of business or for any indirect or consequential loss (Consequential Loss). **Terms of Sale** – these Warranty provisions are in substitution for any inconsistent provisions in the Sylvania Schröder Terms and Conditions of Sale in so far as they apply to the Warranty components.

Multi Function

UFO High Bay Light



INSTRUCTION MANUALS

This product must be installed by a qualified electrician.

Printed copies are uncontrolled and will not be updated automatically.

Foreword:

Thank you for choosing our products. Wish you enjoy using it. To ensure that you can fully understand and use this product safely, please read this manual carefully before use and also keep it for later reference. Product picture & dimensions are for reference only, specific please in kind prevail!

READ AND FOLLOW ALL SAFETY INSTRUCTIONS!

WARNING

- Make all electrical and grounded connections in accordance with local codes or the National Electrical Code. If you are not familiar with these codes and requirements, consult a qualified electrician. This professional should be familiar with the construction and operation of this product and hazards involved. Failure to do so may result in serious personal injury.
- To reduce the risk of fire, electric shock, personal injury, or property damage, please read and follow all safety instructions. If you do not understand these instructions or if any additional information is required, contact your local sales representative. Retain these instructions for maintenance reference.
- Make certain electrical supply is OFF before energizing fixture.
- Do not exceed the allowed supply voltage marked on the luminaire label information.

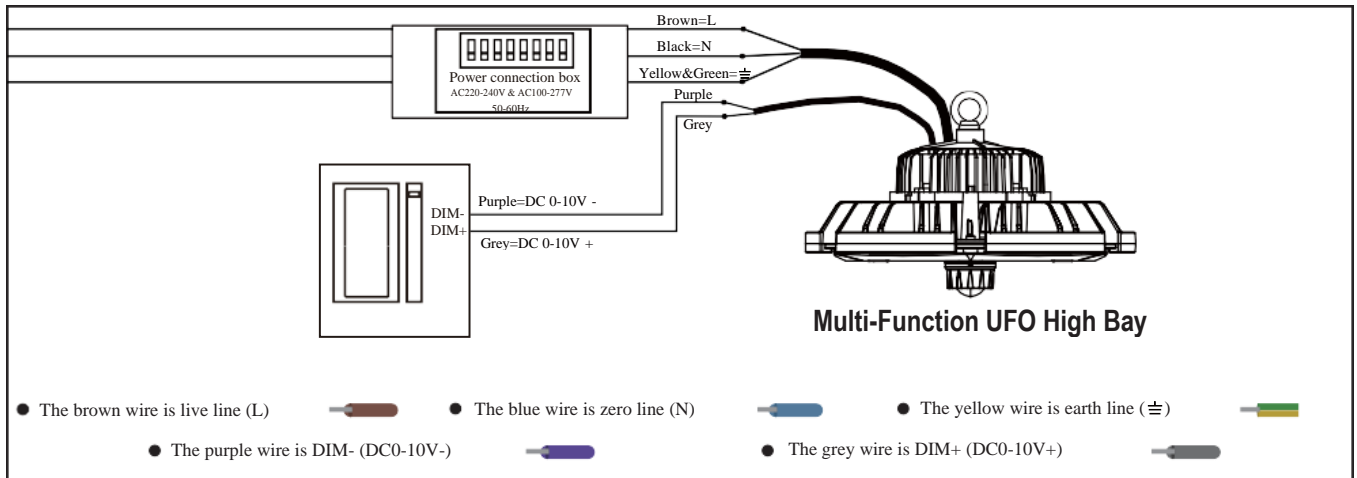
CAUTION

- Do not expose wires to any sharp objects such as sheet metal to prevent wiring damage or abrasion.
- To avoid risk of burn, be sure fixture temperature is cool enough to touch before handling.
- While the light is on, please avoid direct eye exposure.
- Combustible materials should be kept away from fixture/lens.

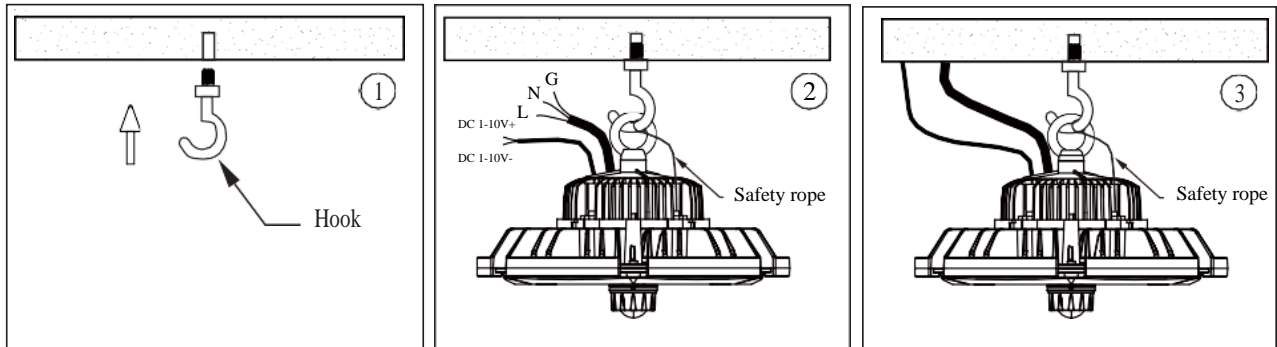
This product must be installed by a qualified electrician.

Printed copies are uncontrolled and will not be updated automatically.

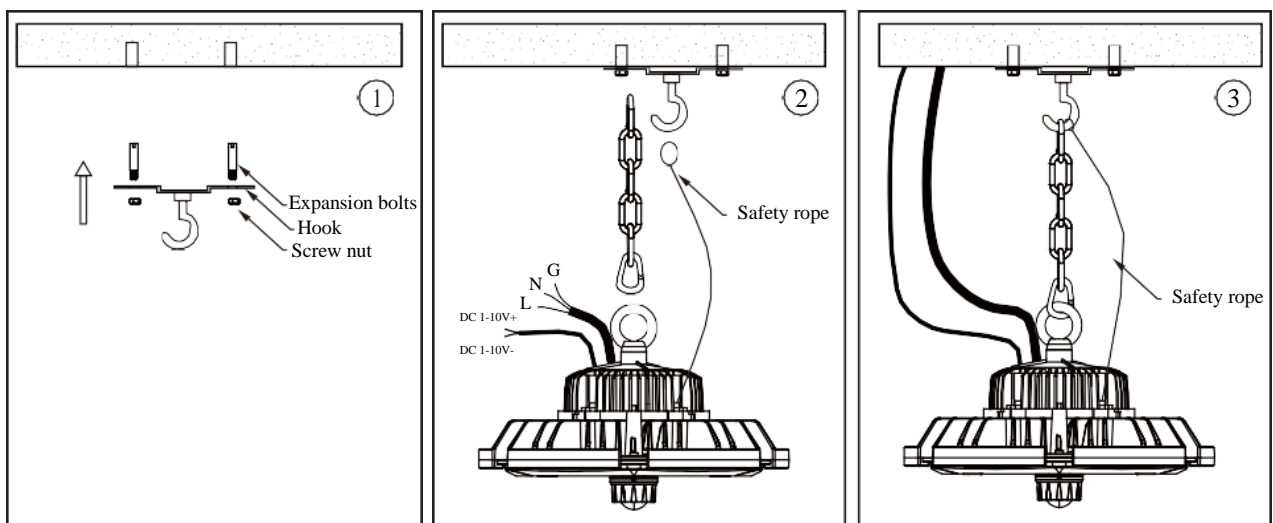
WIRING DIAGRAM



INSTALLATION STEPS



- Drill corresponding size holes in the ceiling. Put the hook into the holes.
- Making the full fixture 's ring hang on the hook. Keeping it stable.
- Notes distinguish the L / N / GND line.



- Drill corresponding size holes in the ceiling, Put the Expansion bolts into holes. Fixed the hook on the ceiling with nut.
- As Photo 2 showing, Using the chain's buckle button up the fixture's ring.
- As photo 3 showing, Hanging the chain's another-side ring on the hook with carefully.
- Notes distinguish the L / N / GND line.

This product must be installed by a qualified electrician.

Printed copies are uncontrolled and will not be updated automatically.

Warning: Below operation should be performed by qualified electrician and ensure power is off !

Power regulation

Power	Operation	Power switching		
		1	2	3
200W		ON	ON	ON
150W		OFF	OFF	ON
100W		OFF	ON	OFF
70W		ON	OFF	OFF

Power	Operation	Power switching		
		1	2	3
200W		ON	ON	ON
150W		OFF	OFF	ON
100W		OFF	ON	OFF
70W		ON	OFF	OFF

Power	Operation	Power switching		
		1	2	3
200W		ON	ON	ON
150W		OFF	OFF	ON
100W		OFF	ON	OFF
70W		ON	OFF	OFF

Power	Operation	Power switching		
		1	2	3
200W		ON	ON	ON
150W		OFF	OFF	ON
100W		OFF	ON	OFF
70W		ON	OFF	OFF

How To Operate the Power?

1. Turn switch "1" to "ON" side, the lamp wattage is 70W;
2. Turn switch "1" back to "1" side, then Turn switch "2" to "ON" side, the lamp wattage is 100W;
3. Turn switch "2" back to "2" side, then Turn switch "3" to "ON" side, the lamp wattage is 150W;
4. Turn switch "1"/ "2" / "3" to "ON" side simultaneously, the lamp wattage is 200W.

Color Temperature regulation

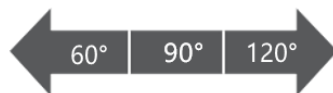
CCT	Operation	To Adjust Color Temperature	
		ON	1
4000K		<input checked="" type="checkbox"/>	—
5000K		—	<input checked="" type="checkbox"/>

CCT	Operation	To Adjust Color Temperature	
		ON	1
4000K		<input checked="" type="checkbox"/>	—
5000K		—	<input checked="" type="checkbox"/>

How To Operate the Color Temperature?

1. Turn switch at "1" side, the CCT is 4000K;
2. Turn switch at "ON" side, the CCT is 5000K.

Beam angle Regulation



Beam angle	Operation	To Adjust Beam Angle		
		1	2	3
60°	Converts a beam angle every 120°	Rotate to	—	—
90°		—	Rotate to	—
120°		—	—	Rotate to

How To Operate the Beam Angle?

1. Rotate the lens with "→" to "60°", the beam angle is 60degree;
2. Rotate the lens with "→" to "90°", the beam angle is 90degree;
3. Rotate the lens with "→" to "120°", the beam angle is 120degree.

This product must be installed by a qualified electrician.

Printed copies are uncontrolled and will not be updated automatically.

Installation Instruction