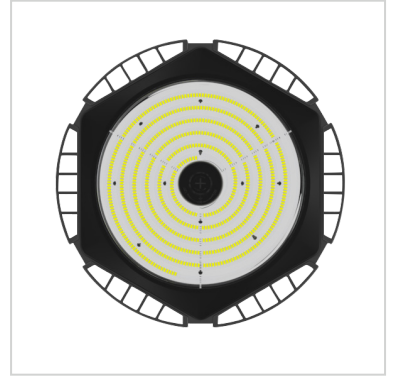


IGNEOUS



Setting the benchmark in all-in-one high-bay lighting

The IGNEOUS range from Schröder offers the ultimate flexibility all in one product. With selectable wattage, CCT & distribution. Making it the luminaire of choice for industrial applications.

Market leading efficacy with lumens per watt up to 200lm/W provides ultimate energy and cost savings.



CAR PARKS



LARGE AREAS



INDUSTRIAL HALLS & WAREHOUSES



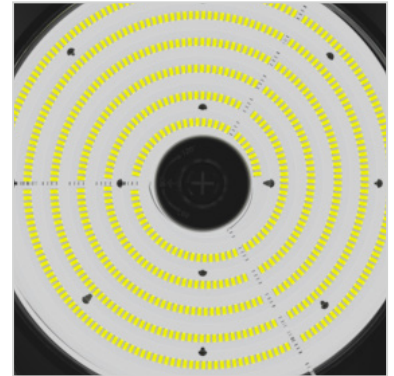
SPORTS FACILITIES

MAIN APPLICATIONS

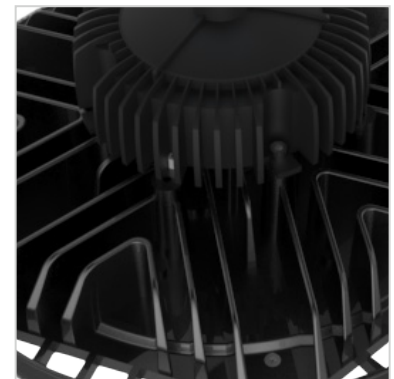
- Car parks
- Large areas
- Industrial halls & warehouses
- Sports facilities

KEY ADVANTAGES

- High energy savings compared to systems with traditional discharge lamps
- Market leading efficacy, up to 200lm/W
- Robust design
- No hazardous materials and silicon-free
- Fast ROI thanks to long life span and reduced maintenance
- Compact housing optimised for heat dissipation and reduced dust accumulation
- Selectable Wattage, CCT & Distribution
- Extremely durable Graphene housing
- 5 year warranty



Adjustable optics - 60°, 90° & 120°



Durable Graphene housing, with superior heat dissipation



Easy to access dip switch to adjust Wattage & CCT

GENERAL INFORMATION

Recommended installation height	8m to 12m
Driver included	Yes
RCM Mark	Yes
ROHS compliant	Yes
Testing standard	LM 79-08 (all measurements in ISO17025 accredited laboratory)

HOUSING AND FINISH

Housing	Graphene
Optic	Polycarbonate
Protector	Polycarbonate (with integrated lenses)
Housing finish	Polyester powder coating
Standard colour(s)	RAL 9005
Tightness level	IP 65
Impact resistance	IK 08

PERFORMANCE

Lumen efficacy	200lm/W
----------------	---------

DIMENSIONS AND MOUNTING

L x W x H (mm)	350x189x350
Weight (kg)	4.6
Mounting possibilities	Hook(s) for suspension

ELECTRICAL INFORMATION

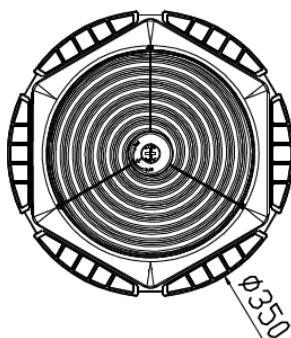
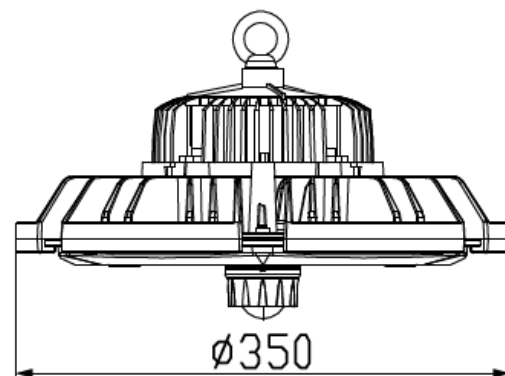
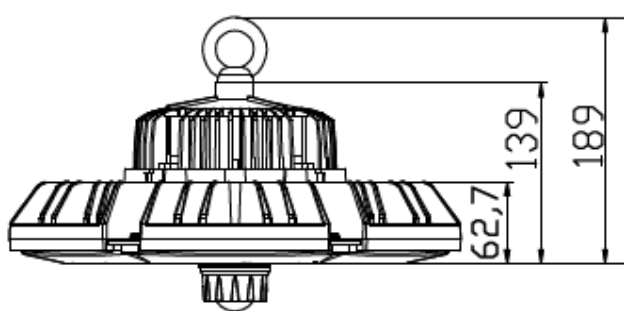
Electrical class	Class 1
Nominal voltage	240V – 50Hz/60Hz
Power factor (at full load)	0.9
Surge protection (kV)	4kV
Electromagnetic compatibility (EMC)	EN 55015:2013/A1:2015, EN 61000-3-2:2014, EN 61000-3-3:2013, EN 61547:2009, EN 62493:2015
Control protocol(s)	1-10V

OPTICAL INFORMATION

LED colour temperature	4000K & 5000K
Colour rendering index (CRI)	> 70, > 80

OPERATING CONDITIONS

Temperature range from operation (Ta)	-10°C to + 40°C
---------------------------------------	-----------------





Product Code	Name	Beam Dist.	Colour Temp	System Power (W)
IG04745200	IGNEOUS 200W HIGHBAY 9005 CRI70	60°/90°/120°	4000K/5000K	70/100/150/200
IG04845200	IGNEOUS 200W HIGHBAY 9005 CRI80	60°/90°/120°	4000K/5000K	70/100/150/200

LIGHT DISTRIBUTIONS

