

# ST REMY



The classic curved design of the ST REMY bracket, with its support rod and multiple variants, elegantly integrates a wide range of environments. The ST REMY bracket perfectly complements a wide range of Schröder luminaires.

It is made of galvanised steel and is available in all standard Schröder colours.

Certified for the loads defined in EN40, the ST REMY range can be installed on poles for CE marking.

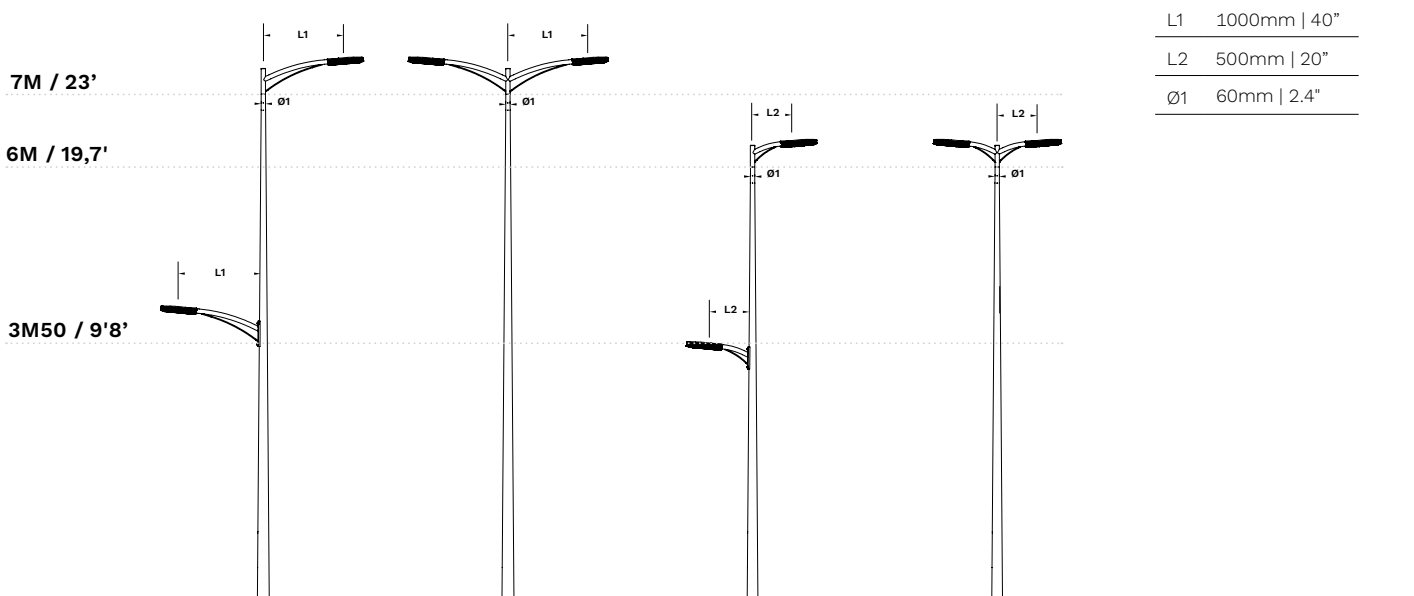
## Technical information

### GENERAL

Housing	Galvanised Steel
Finish	Polyester powder-coating
Colour	AKZO 900 grey sanded Any RAL or AKZO colour upon request

Pull wire included	Yes, for post-top versions
Sea-side coating	Available upon request

### DIMENSIONS



## PRODUCT VARIANTS

Type	Length (mm)	Reference	To pole			Wall	To luminaire		
			Diameter	Tube penetrating (male)	Lateral on pole min. diameter		Diameter	Enclosing (female)	Penetrating (male)
ST REMY top single	500	1CT3370P	Ø60	X	-	-	Ø60	X	X
ST REMY top single	1000	1CT3371P	Ø60	X	-	-	Ø60	X	X
ST REMY top double	500	1CT3373P	Ø60	X	-	-	Ø60	X	X
ST REMY top single	1000	1CT3372P	Ø60	X	-	-	Ø60	X	X
ST REMY lateral	500	1CL228P	-	-	Ø70	X	Ø60	X	X
ST REMY lateral	1000	1CL229P	-	-	Ø70	X	Ø60	X	X

Note: this information is to be combined with the specific technical drawing.

## LUMINAIRE COMPATIBILITY

Family	Type	Length (mm)	Reference	AMPERA		AVENTO	AXIA	CITEA NG (Mini-Midi)		FLEXIA				HESTIA LED	IZYLUM	PIANO	TECEO	YMERA	YOA				
				Universal 48-60mm	Universal 60 penetrating	Lateral entry 48-60	Lateral entry 42-60mm	Lateral entry 60 enclosing	Lateral entry 60 penetrating	Rotule diam D60mm penetrating	Rotule diam D60mm Enclosing	Lateral entry enclosing	Lateral entry penetrating	Knuckle joint Ø60 enclosing	Knuckle joint Ø60 penetrating	Lateral entry enclosing	Universal 48-60mm	Lateral entry penetrating	Lateral entry 48-60mm	Universal 48-60mm	Universal 60 penetrating	Lateral entry 60	Lateral entry 60 penetrating
ST REMY	Top single	500	1CT3370P	X	X	X	X	X	X	X	X	X	X	X	X	X	X	X	X	X	X	X	X
ST REMY	Top single	1000	1CT3371P	X	X	X	X	X	X	X	X	X	X	X	X	X	X	X	X	X	X	X	X
ST REMY	Top double	500	1CT3373P	X	X	X	X	X	X	X	X	X	X	X	X	X	X	X	X	X	X	X	X
ST REMY	Top double	1000	1CT3372P	X	X	X	X	X	X	X	X	X	X	X	X	X	X	X	X	X	X	X	X
ST REMY	Lateral & Wall	500	1CL228P	X	X	X	X	X	X	X	X	X	X	X	X	X	X	X	X	X	X	X	X
ST REMY	Lateral & Wall	1000	1CL229P	X	X	X	X	X	X	X	X	X	X	X	X	X	X	X	X	X	X	X	X

x = standard available / o = option

## INFORMATION FOR EN40 CALCULATION

Name	Reference	Type	Length (mm)	Centre of pressure on X (mm)	Centre of pressure on Z (mm)	Endpoint bracket on X (mounting point - mm)	Endpoint bracket on Z (mounting point - mm)	CxS (m <sup>2</sup> )	Weight (kg)
ST REMY	1CT3370P	Top single	500	115	145	500	326	0,07	4,9
ST REMY	1CT3371P	Top single	1000	310	240	1000	454	0,12	7,8
ST REMY	1CT3373P	Top double	500	0	185	500	326	0,11	7,3
ST REMY	1CT3372P	Top double	1000	0	280	1000	454	0,2	12,7
ST REMY	1CL228P	Lateral	500	180	220	500	312	0,06	3,4
ST REMY	1CL229P	Lateral	1000	400	270	1000	489	0,11	6,1

